



Consistent with LEED® goals & Green Globes™ criteria for light pollution reduction

Autobahn Series ATBMicro Roadway Lighting

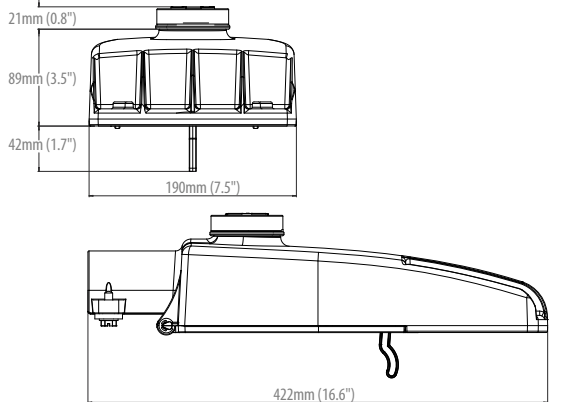
PRODUCT OVERVIEW



Applications:

- Roadways
- Off ramps
- Residential streets
- Parking lots

DIMENSIONS



Effective Projected Area (EPA): The EPA for the ATBMicro is 0.36 sq. ft. Approx. Wt. = 8 lbs.

STANDARDS

Color temperatures of $\leq 3000\text{K}$ must be specified for International Dark-Sky Association certification.

Rated for -40°C to 40°C ambient

CSA Certified to U.S. and Canadian standards

Complies with ANSI: C136.2, C136.10, C136.14, C136.31, C136.15, C136.37

Features:

OPTICAL

Same Light: Performance is comparable to 70-100W HPS roadway luminaires.

White Light: Correlated color temperature - 4000K, 70 CRI minimum, 3000K, 70 CRI minimum or optional 5000K, 70 CRI minimum.

Unique IP66 rated LED light engines provided 0% uplight and restrict backlight to within sidewalk depth, providing optimal application coverage and optimal pole spacing. Available in Type II, III and V roadway distributions.

ELECTRICAL

Expected Life: LED light engines are rated $>100,000$ hours at 25°C , L70. Electronic driver has an expected life of 100,000 hours at a 25°C ambient.

Lower Energy: Saves an expected of 40-60% over comparable HID luminaires.

Robust Surge Protection: Two different surge protection options provide a minimum of ANSI C136.2 10kV/5kA protection. 20kV/10kA protection is also available.

MECHANICAL

Includes standard AEL lineman-friendly features such as tool-less entry, 3 station terminal block and quick disconnects. Bubble level located inside the electrical compartment for easily leveling at installation.

Rugged die-cast aluminum housing and door are polyester powder-coated for durability and corrosion resistance. Rigorous five-stage pre-treating and painting process yields a finish that achieves a scribe creepage rating of 7 (per ASTM D1654) after over 5000 hours exposure to salt fog chamber (operated per ASTM B117).

Mast arm mount is adjustable for arms from 1-1/4" to 2" (1-5/8" to 2-3/8" O.D.) diameter. Provides a 3G vibration rating per ANSI C136.31

CONTROLS

NEMA 3 pin photocontrol receptacle is standard, with the Acuity designed ANSI standard 7 pin receptacle optionally available.

Premium solid state locking style photocontrol - PCSS (10 year rated life) Extreme long life solid state locking style photocontrol - PCLL (20 year rated life).

Optional onboard Adjustable Output module allows the light output and input wattage to be modified to meet site specific requirements, and also can allow a single fixture to be flexibly applied in many different applications.

Note: Specifications subject to change without notice. Actual performance may differ as a result of end-user environment and application.

Autobahn Series ATBMicro Roadway Lighting

ORDERING INFORMATION

Series	Performance Packages	Voltage	Optics
ATBMic Autobahn LED Roadway	10BLEDE60 10B Chips, 600mA Driver 10BLEDE70 10B Chips, 700mA Driver 10BLEDE85 10B Chips, 850mA Driver 10BLEDE10 10B Chips, 1050mA Driver 10BLEDE13 10B Chips, 1250mA Driver 10BLEDE15 10B Chips, 1500mA Driver	MVOLT Multi-volt, 120-277V 347 347V 480 480V	R2 Roadway Type II R3 Roadway Type III R5 Roadway Type V

Options

Color Temperature (CCT)

(Blank)	4000K CCT, 70 CRI Min.
3K	3000K CCT, 70 CRI Min.
5K	5000K CCT, 70 CRI Min.

Paint

(Blank)	Gray (Standard)
BK	Black
BZ	Bronze
DDB	Dark Bronze
GI	Graphite
WH	White

Surge Protection

(Blank)	Standard 20kV/10kA SPD
MP	MOV Pack

Terminal Block

(Blank)	Terminal Block (Standard)
----------------	---------------------------

Misc.

BL	External Bubble Level
HS	House-Side Shield
NL	Nema Label
XL	Not CSA Certified
UMR-XX	8" Horizontal Arm for Round Pole, Painted to match Fixture
UMS-XX	8" Horizontal Arm for Square Pole, Painted to match Fixture
UMR-GALV	8" Horizontal Arm for Round Pole, Galvanized

UMS-GALV

8" Horizontal Arm for Square Pole, Galvanized

PW# Pre-wire, # indicates wire length in one foot increments from 1' thru 10' (e.g. PW4 = 4' of pre-wire)

Controls

(Blank)	3 Pin NEMA Photocontrol Receptacle (Standard)
P7²	7 Pin Photocontrol Receptacle (Dimmable Driver Included)
NR	No Photocontrol Receptacle
AO	Field Adjustable Output (Controls by others)
DM	0V-10V Dimmable Driver (Controls by others)
PCSS¹	Solid State Lighting Photocontrol (120-277V)
PCLL	Solid State Long Life Photocontrol
SH	Shorting Cap

Packaging

(Blank)	Single Unit (Standard)
JP	Job Pack (90/pallet)

Accessories

ATBMICHSS House side shield for field installation

Notes

- 1 Not available in 347 or 480V.
- 2 Not available with DM, ML or NR.



AEL Headquarters, 3825 Columbus Road, Granville, OH 43023
www.americanelectricalighting.com

© 2018 Acuity Brands Lighting, Inc. All Rights Reserved. ATBMic 01/11/19

Warranty Five-year limited warranty. Complete warranty terms located at: www.acuitybrands.com/CustomerResources/Terms_and_conditions.aspx
Actual performance may differ as a result of end-user environment and application. All values are design or typical values, measured under laboratory conditions at 25 °C. Specifications subject to change without notice.

Please contact your sales representative for the latest product information.

Autobahn Series ATBMicro Roadway Lighting

PERFORMANCE PACKAGE

Performance Package	Drive Current (mA)	Input Watts	Optic	3K (3000K CCT, 70 CRI Min.)					4K/5K (4000K/5000K CCT, 70 CRI Min.)					LLD @ 25°C		
				Lumens	LPW	B	U	G	Lumens	LPW	B	U	G	25k Hours	75k Hours	100k Hours
10B	600	20	R2	2,451	123	1	0	1	2,592	130	1	0	1	0.98	0.97	0.96
	700	24		2,778	116	1	0	1	2,927	122	1	0	1	0.98	0.97	0.96
	850	29		3,295	114	1	0	1	3,488	120	1	0	1	0.97	0.95	0.92
	1050	37		3,953	107	1	0	2	4,204	114	1	0	2	0.97	0.95	0.92
	1300	44		4,564	104	1	0	2	4,859	110	1	0	2	0.93	0.90	0.88
	1500	52		5,283	102	1	0	2	5,653	109	1	0	2	0.93	0.90	0.88
	600	20	R3	2,421	121	1	0	1	2,571	129	1	0	1	0.98	0.97	0.96
	700	24		2,753	115	1	0	1	2,925	122	1	0	1	0.98	0.97	0.96
	850	29		3,281	113	1	0	1	3,494	120	1	0	1	0.97	0.95	0.92
	1050	37		3,933	106	1	0	1	4,194	113	1	0	1	0.97	0.95	0.92
	1300	44		4,520	103	1	0	1	4,846	110	1	0	1	0.93	0.90	0.88
	1500	52		5,232	101	1	0	1	5,632	108	1	0	1	0.93	0.90	0.88
	600	20	R5	2,546	127	2	0	1	2,739	137	2	0	1	0.98	0.97	0.96
	700	24		2,889	120	2	0	1	3,090	129	2	0	1	0.98	0.97	0.96
	850	29		3,429	118	2	0	1	3,688	127	2	0	1	0.97	0.95	0.92
	1050	37		4,113	111	3	0	1	4,440	120	3	0	1	0.97	0.95	0.92
	1300	44		4,754	108	3	0	1	5,128	117	3	0	1	0.93	0.90	0.88
	1500	52		5,494	106	3	0	1	5,945	114	3	0	1	0.93	0.90	0.88

Note: Specifications subject to change without notice.

ATBMicro LLD Multiplier	15°C	20°C	25°C	30°C	35°C	40°C
	1.02	1.01	1	0.98	0.97	0.95

To calculate the LLD for a temperature other than 25°C, multiply the LLD @ 25°C (shown in the performance package table) by the LLD multiplier for the selected temperature.



AEL Headquarters, 3825 Columbus Road, Granville, OH 43023
www.americanelectriclighting.com
© 2018 Acuity Brands Lighting, Inc. All Rights Reserved. ATBMicro 01/11/19

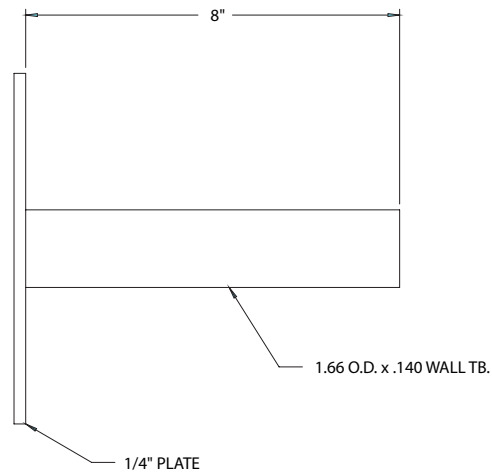
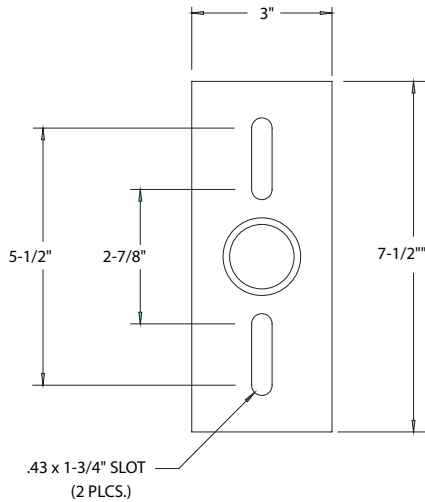
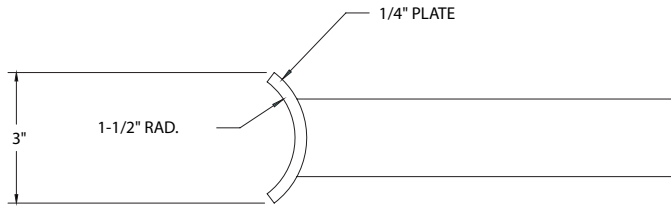
Warranty Five-year limited warranty. Complete warranty terms located at: www.acuitybrands.com/CustomerResources/Terms_and_conditions.aspx
Actual performance may differ as a result of end-user environment and application. All values are design or typical values, measured under laboratory conditions at 25 °C. Specifications subject to change without notice.

Please contact your sales representative for the latest product information.

Autobahn Series ATBMicro Roadway Lighting

UMR POLE ADAPTOR

RECOMMENDED FOR USE WITH POLES OF 4" DIAMETER OR SMALLER



UMS POLE ADAPTOR



AEL Headquarters, 3825 Columbus Road, Granville, OH 43023
www.americanelectriclighting.com

© 2018 Acuity Brands Lighting, Inc. All Rights Reserved. ATBMic 01/11/19

Warranty Five-year limited warranty. Complete warranty terms located at:
www.acuitybrands.com/CustomerResources/Terms_and_conditions.aspx
Actual performance may differ as a result of end-user environment and application.
All values are design or typical values, measured under laboratory conditions at 25 °C.
Specifications subject to change without notice.

Please contact your sales representative for the latest product information.