



RSXF LED Floodlights



RSXF LED Floodlights for the HID Replacement market



September 2019

Note: Product Specifications subject to change without notice.





Winning the UPR Game with the RSXF

- Priced for payback!
- Lumen packages to replace 70W to 1500W HID
- Six Flood distributions
- Special area wide/forward optic!
- Five mounting configurations
- nLight® AIR for ultimate control!
- Made in North America – 21-day delivery of configured products!





The Lumens You Need:



RSXF1

- 7,000 - 17,000 lumens
- 51W to 133W
- Replaces 70W to 400W



RSXF2

- 11,000 - 31,000 lumens
- 71W to 244W
- Replaces 250W to 1000W



RSXF3

- 28,000 - 41,000 lumens
- 194W to 312W
- Replaces 400W to 1000W



RSXF4

- 40,000 – 85,000 lumens
- 275W to 646W
- Replaces (1) 1000W or (1) 1500W

Key Features and Benefits

Feature	Benefit
Four Sizes (7,000 to 85,000 Lumens)	One area & flood family can be used across a broad range of applications on site
Many Mountings – Slipfitter, Yoke, Adjustable Arm and more	Highly utilized mountings address the wide variety of application needs across the large HID installed base.
Lithonia “no drill” direct pole mounting	Saves up to 75% in installation costs by mounting onto most any existing drill pattern without the need of drilling additional holes.
Six Optical Choices	AWFD, WFL, MFL, NFL, NSP, SP
DLC Premium listings	Maximizes utility rebates, lowering the initial costs.
Highly Efficient LED’s	With up to 155 LPW, RSXF can replace 70W to 1500W and save up to 77% in energy costs.
nLight® AIR Sensors 	nLight® AIR controls allow from-the-ground programming, motion sensor “group response”. Coupled with an nLight ECLYPSE®, scheduling and monitoring provide increased functionality and energy savings.



Size 1 Price and Performance

Power Package	P1	P2	P3	P4
Lumens (4000K, WFL)	7,169	9,941	14,154	16,446
Watts	51W	72W	109W	133W
LPW	141	138	130	124
Lumen Maintenance	L92 @ 100,000 Hours			
DLC	Premium!			
Replaces	175W	250W	400W	400W



RSXF1

Size 2 Price and Performance

Power Package	P1	P2	P3	P4	P5	P6
Lumens (4000K, R3)	10,992	17,202	21,737	25,002	28,620	30,267
Watts	71W	111W	147W	187W	210W	244W
LPW	155	155	148	134	136	124
Lumen Maintenance	L92 @ 100,000 Hours					
DLC	Premium!					
Replaces	250W	400W	400W	1000W	1000W	1000W



RSXF2



Size 3 Price and Performance

Power Package	P1	P2	P3	P4
Lumens (4000K, R3)	27,283	30,185	35,346	40,448
Watts	194W	222W	266W	312W
LPW	141	136	133	130
Lumen Maintenance	L92 @ 100,000 Hours			
DLC	Premium!			
Replaces	400W - 1000W			



RSXF3

Size 4 Price and Performance:

Power Package	P1	P2	P3	P4	P5	P6	P7	P8
Lumens (4000K WFL)	40,312	45,183	51,146	56,254	62,657	69,690	71,181	82,895
Watts	275W	320W	369W	431W	483W	546W	520W	646W
LPW	147	143	138	131	130	128	137	128
Lumen Maintenance	L92 @ 100,000 Hours							
DLC	Premium!							
Replaces	1000W or 1500W							



RSXF4



The Adjustable Mounting Configurations You Need:





RSXF Flood Yoke Mount



**Yoke Mount
RSXF1, RSXF2 & RSXF3**



**Yoke Mount
RSXF4**



Adjustable Slipfitter:

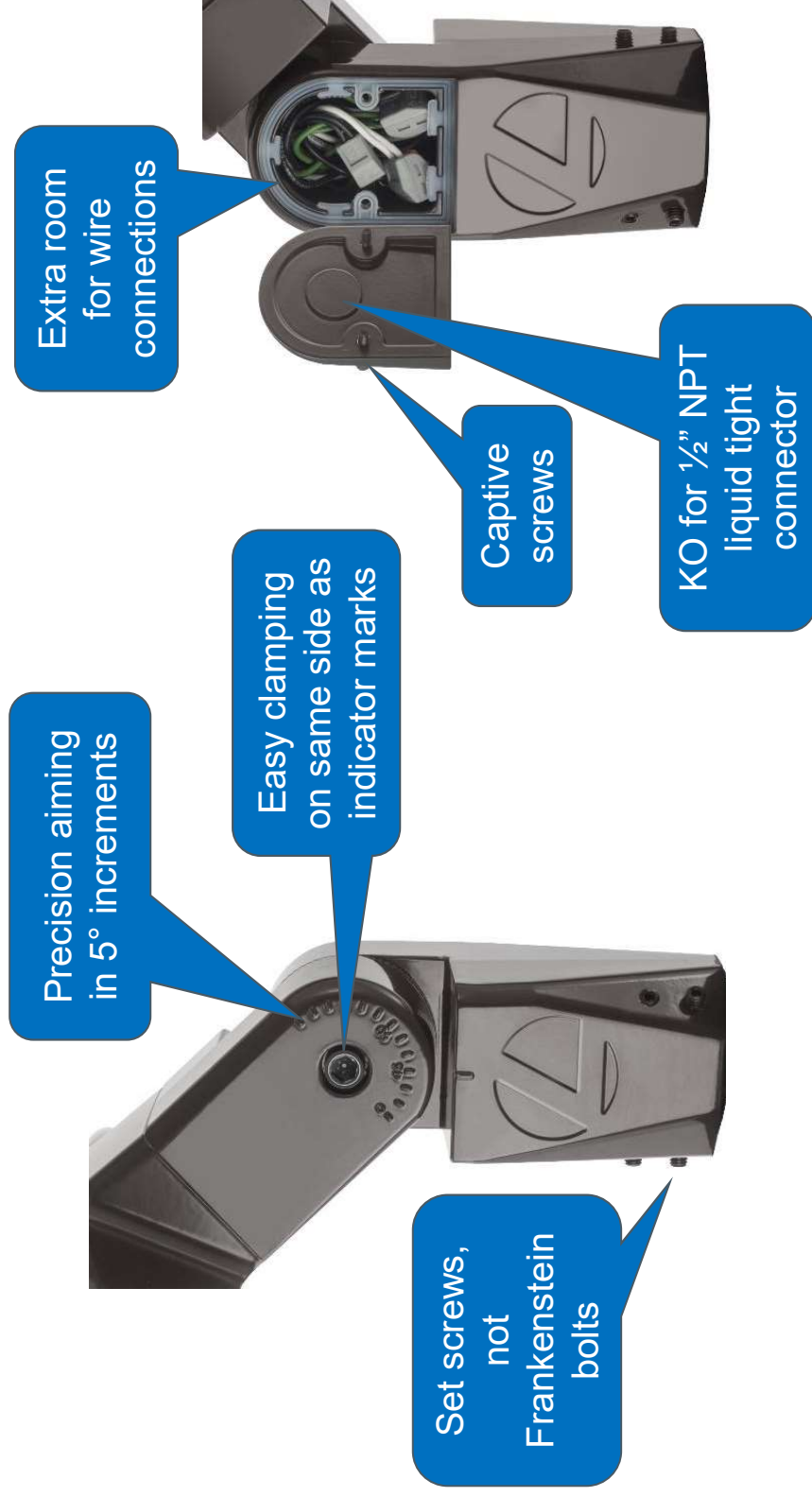


Mounts on 2 3/8" OD
tenon for pole-top
lighting (downward
aiming)

Sample Nomenclature:
RSX2 LED P3 40K R3 MVOLT IS DDBXD



Slipfitter Mounting – Super Contractor-Friendly:





Adjustable Arm – Direct Pole Mount:



Features the RSX universal “no-drill” mounting mechanism that mates to 99% of existing mounting holes.

(AASP) – Adjustable Arm Square Pole Mounting

Or

(AARP) – Adjustable Arm Round Pole Mounting
**Uses RPA round pole adapter plate*



Sample Nomenclature:
RSX2 LED P6 40K R3 MVOLT **AASP** DDBXD



Adjustable Mountings Make Installation Easy!



Not This!



This!



Adjustable Arm – Wall Mounting:



Sample Nomenclature:
RSX2 LED P6 40K R3 MVOLT **AAWB** DDBXD



$\frac{3}{4}$ " NPT female threads
& plugs on all four sides

Sample Nomenclature:
RSX2 LED P6 40K R3 MVOLT **AAWSC** DDBXD



Adjustable Arm – All Variations:

Gasketed splice box cover w/captive screws

Extra room for wire connections



7/8" KO - fits 1/2" NPT liquid tight connector



Precision aiming in 5° increments - easy clamping on same side as indicator marks

Applies To Following Mountings:

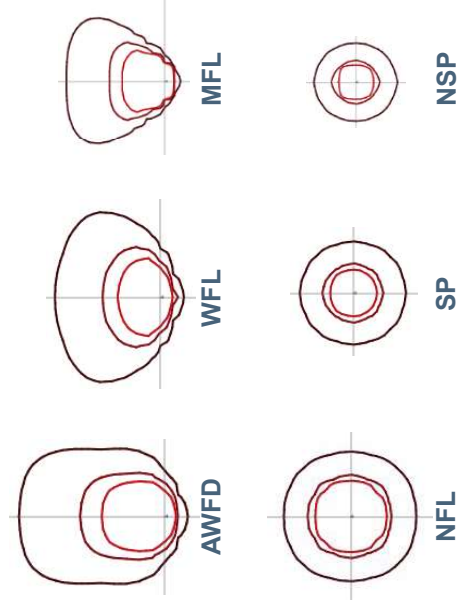
- AASP
- AARP
- AAWB
- AAWSC



The Optical Distributions You Need:



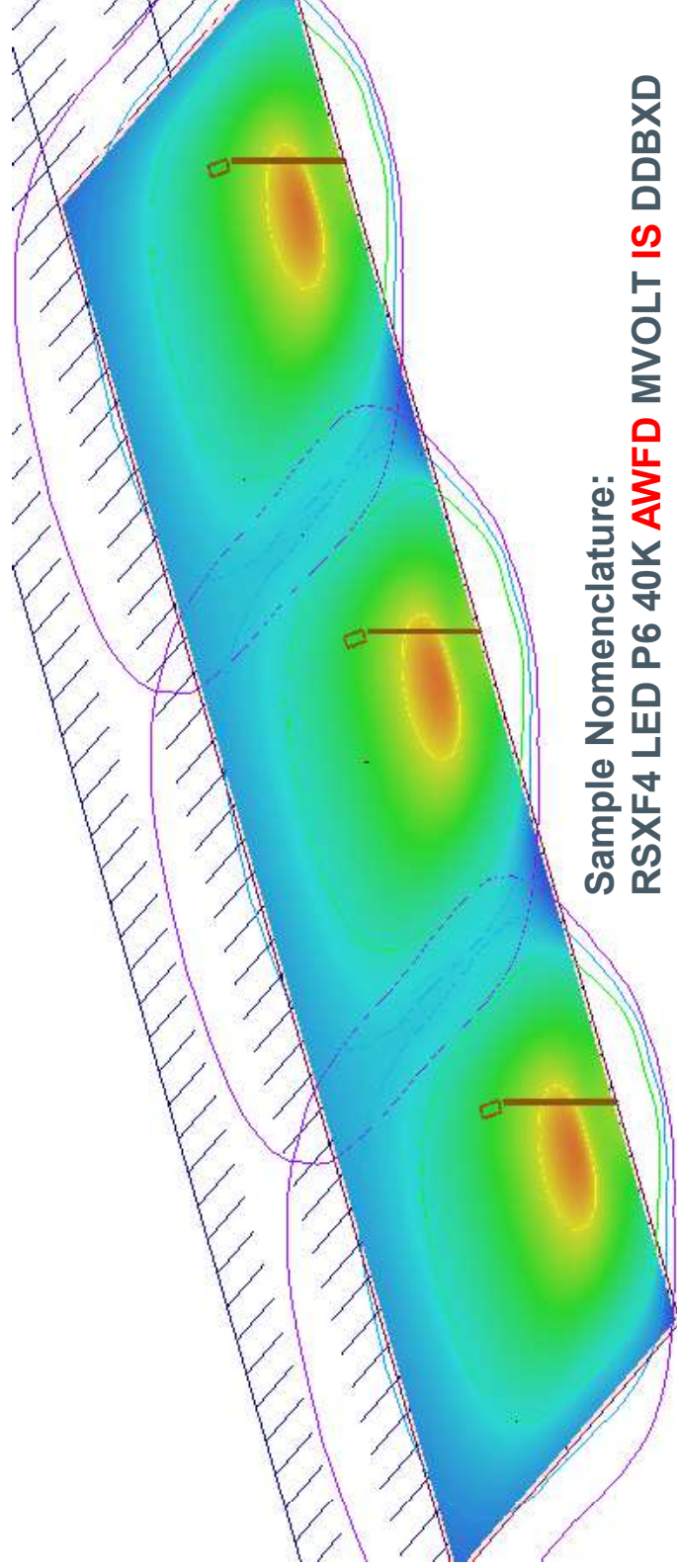
(6) Floodlighting Distributions



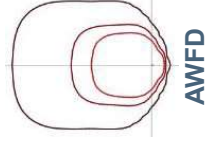


Perimeter Flood Lighting with the AWFD Optic:

The AWFD is a best-in-class solution and can be used for lighting truck yards and other applications that require strong forward throw when lighting from the perimeter.



Sample Nomenclature:
RSXF4 LED P6 40K **AWFD** MVOLT **IS** DDBXD





RSXF Floodlight Shielding Accessories:



UBV

Upper/Bottom Visor:
Ships separate as option
or may be ordered as an
accessory

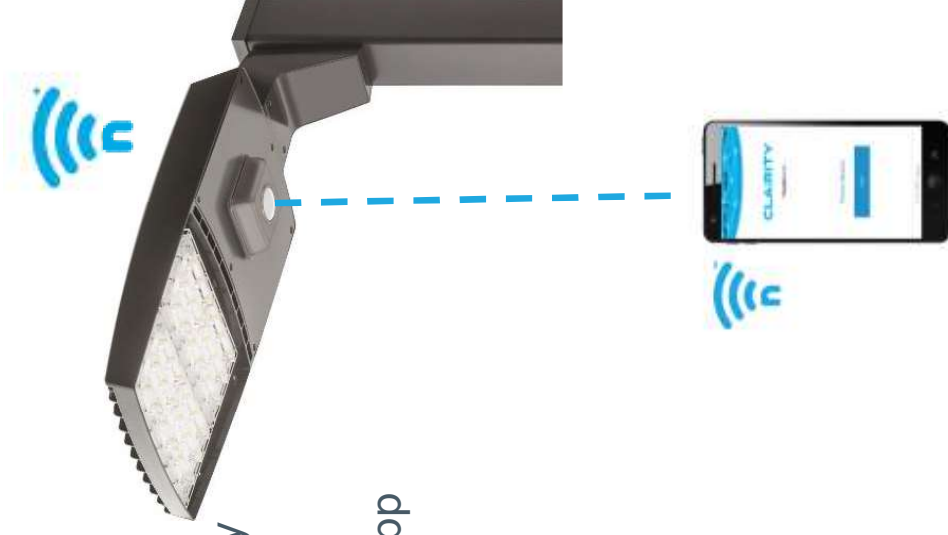


FV

Full Visor: Ships separate
as option or may be ordered
as an accessory

The Control Solutions You Need:

- nLight® AIR for ultimate control
- Out-of-box settings offer photocell on/off and occupancy dimming... *does not require programming*
- If changes are desired, from-the-ground sensor programming is available with the free CLARITY Pro app
- Grouping for sensor “group response”
- Mate with nLight® ECLYPSE® for scheduled dimming
- Connects to parking garage, industrial and indoor luminaires for site-wide control
- MVOLT and HVOLT configurations
- Up to 40-foot mounting heights





Other Control Solutions:



Button Photocell
(MVOLT and 347V)



7-pin Photocell
Receptacle



External
Photocell

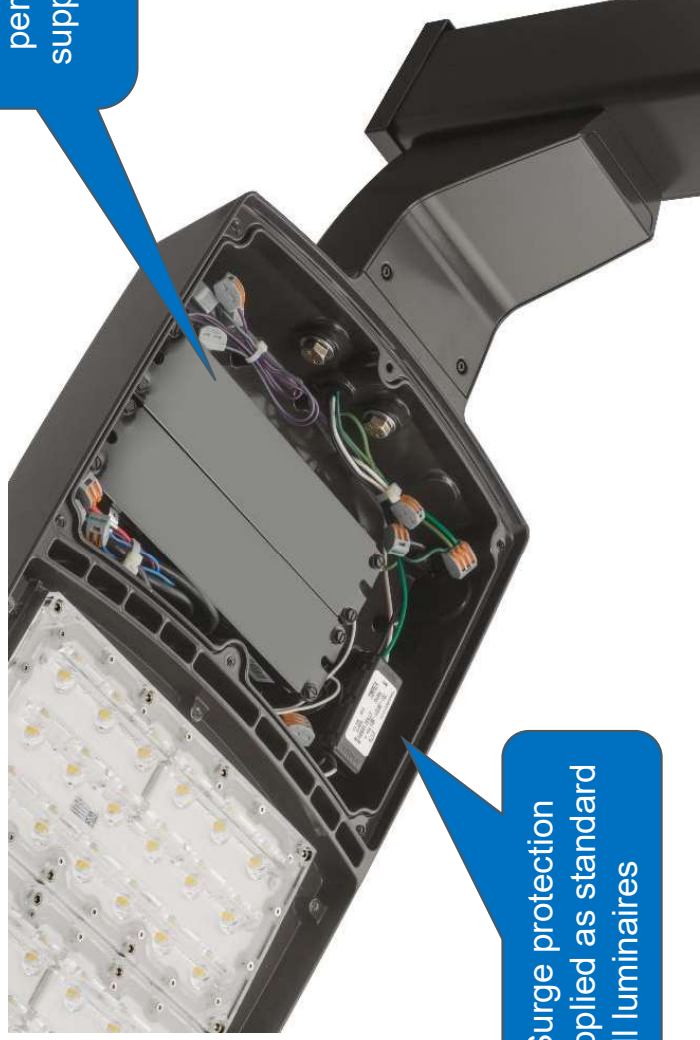


Field Adjustable
Output Device



Only the Best Components:

RSX only uses major brand name drivers for superior performance and assured supply of replacement parts for years to come



10 KV Surge protection device supplied as standard in all luminaires



Contractor-Friendly Design:

Tongue and groove gasket mounted on the inside of the door for gasket retention during servicing.



Captive screws don't fall out!



Other Important Features and Benefits:

Feature	Benefit
L92 / 100,000 Hour LM	Exceptional lumen maintenance! 20-year expected service life!
IP66 Ingress Protection	Tongue and groove gasket ensures that the product will not leak.
Knuckle Set Screws	Clean appearance vs. “Frankenstein bolts”. The Adjustable Integral Slip-fitter (IS) is best knuckle design in the industry!
3G Vibration Tested	Super robust design on all mountings and sizes!
3000K Options	RSX has super-high 3000K LPW!
Super-Durable Finish	RSX features a zinc-infused Super Durable powder coat finish that has excellent gloss retention and corrosion resistance.
Acuity Brands 5-Year Warranty	Not just any warranty. This is a warranty from a trusted brand that has a history and financial stability that few can match. In a day where small suppliers come and go, and even large suppliers are bought and sold, Acuity stands alone in its commitment to the lighting industry.



Dominate the HID Renovation Market with RSXF

One family does it all...

- More lumens – over 85,000 lumens plus!
- Largest breadth of flood optics and flood mounting configurations
- Best in class photometric performance
- nLight® AIR for energy savings and code compliance
- Priced for payback from a complete offering to dominate the HID renovation market
- Made in North America – 21-day delivery of configured products
- RSX is still the best value in LED area & flood lighting for one-for-one replacement of HID luminaires



AcuityBrands.



Thank You!